

Ex II Strobe Light dSLB 20

Robust optical signalling device for applications in potentially explosive areas of group II and in zones 1, 2, 21 and 22



Overview

Optical signalling is often required for warning or notifying purposes in potentially explosive areas. The Ex II Strobe Light dSLB 20 provides suitable signalling for these purposes. It is designed for continuous operation and available for different operating voltages.

The dSLB 20 is activated by connecting the power supply. The sturdy housing of ingress protection IP 66/67 is suitable for both indoor and outdoor applications.

The Ex II strobe light has a small flameproof aluminium housing containing the electronics. The cap is made of hardened borosilicate glass. The terminal compartment is of protection type "increased safety".

A signalling combination can be established using the provided stainless steel mounting plate with integrated junction box.

Features

- Compact construction
- Versatile application
- Light intensity up to 15 joule
- Ingress protection IP 66/67
- Protection type: II 2 G Ex d e IIC T5, T6 Gb
II 2 D Ex tb IIIC T95°C, T80°C Db

EATON

Powering Business Worldwide



ATEX IECEx



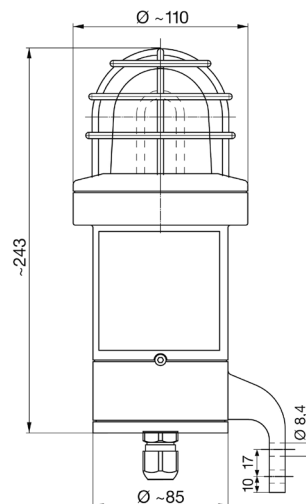
Certification

| | |
|-----------------|--|
| Protection type | II 2 G Ex d e IIC T5, T6 Gb II 2 D Ex tb IIIC T95°C, T80°C Db |
| Approval | PTB 99 ATEX 1028 IECEX PTB 09. 0062 |

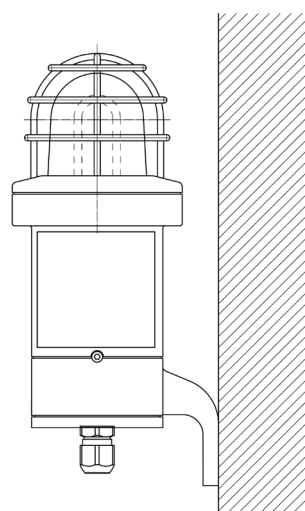
Specifications

| | |
|----------------------|---|
| Housing | Aluminium, surface varnished or powder-coated |
| Housing colour | Yellow/blue |
| Cap | Borosilicate glass dome with stainless steel protection cage |
| Cap colour | Transparent, red, amber, green, blue |
| Ingress protection | IP 66/67 according to EN 60529 |
| Protection class | I |
| Cable glands | 1 x M20 x 1.5, 1x blind plug M20 x 1.5 |
| Connection terminals | Terminal capacity: 2,5 mm ² single-wire 1,5 mm ² fine-wire Protective earth – Screw connection with wire protection clamp in connection enclosure max. 2.5 mm ² Equipotential – Screw connection with wire bonding conductor protection clamp outside, cross section max. 4 mm ² |
| Flash energy | 5 joule/15 joule |
| Flash frequency | Approx. 60/min. (1 Hz) |
| Average life cycle | Approx. 5 x 10 ⁶ flashes |
| Operating conditions | Indoors and outdoors |
| Operating position | Any |
| Operating mode | Continuous operation |
| Temperature range | -55 °C bis +40 °C (T6) -55 °C bis +55 °C (T5) |
| Weight | Approx. 2 kg |

General arrangement drawing (all dimensions in mm)



Wall mounting



Ordering data

* The full article number for ATEX and IECEX variants is made up by appending the colour code to the article numbers given below. INMETRO and EAC variants are available on request.

| Type | Designation | Nominal voltage | Voltage range | Flash energy | Current consumption | Art. No.* | |
|---------|--------------------|-----------------|---------------|--------------|---------------------|----------------|----------------|
| dSLB 20 | Ex II Strobe Light | 24 VDC | 21-53 VDC | 15 Joule | 1 A | FHF 224 963 .. | transparent 01 |
| dSLB 20 | Ex II Strobe Light | 80 VDC | 72-132 VDC | 15 Joule | 250 mA | FHF 224 965 .. | red 02 |
| dSLB 20 | Ex II Strobe Light | 115 VAC | 103-127 VAC | 15 Joule | 200 mA | FHF 224 966 .. | amber 03 |
| dSLB 20 | Ex II Strobe Light | 230 VAC | 207-253 VAC | 15 Joule | 200 mA | FHF 224 997 .. | green 04 |
| dSLB 20 | Ex II Strobe Light | 12 VDC | 10-14 VDC | 5 Joule | 600 mA | FHF 224 912 .. | blue 05 |
| dSLB 20 | Ex II Strobe Light | 24 VDC | 21-53 VDC | 5 Joule | 280 mA | FHF 224 913 .. | |
| dSLB 20 | Ex II Strobe Light | 80 VDC | 72-132 VDC | 5 Joule | 90 mA | FHF 224 915 .. | |
| dSLB 20 | Ex II Strobe Light | 115 VAC | 103-127 VAC | 5 Joule | 135 mA | FHF 224 906 .. | |
| dSLB 20 | Ex II Strobe Light | 230 VAC | 207-253 VAC | 5 Joule | 130 mA | FHF 224 907 .. | |

Accessories

| | |
|---|----------------|
| Mounting plate with integrated junction box | FHF 229 901 01 |
|---|----------------|